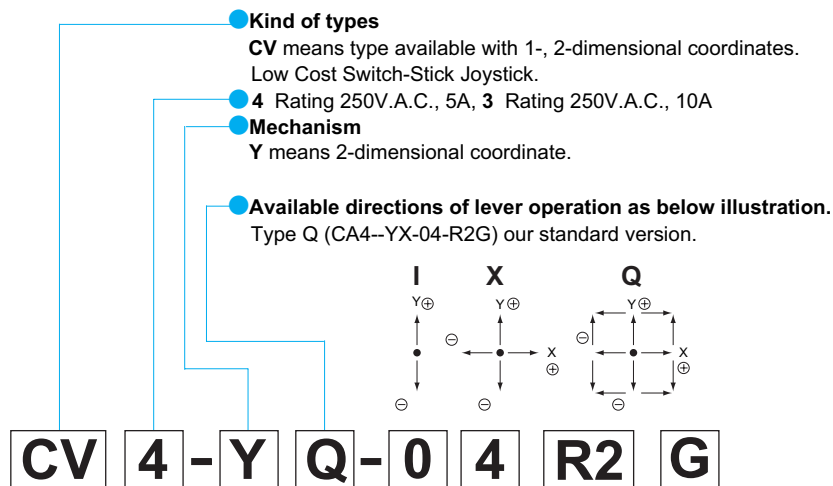


CV4-YQ-04R2G Switch-Stick Joystick

Nomenclature



Number of potentiometers to be mounted . ●

0...no potentiometer mounted.

Number of switches to be mounted. ●

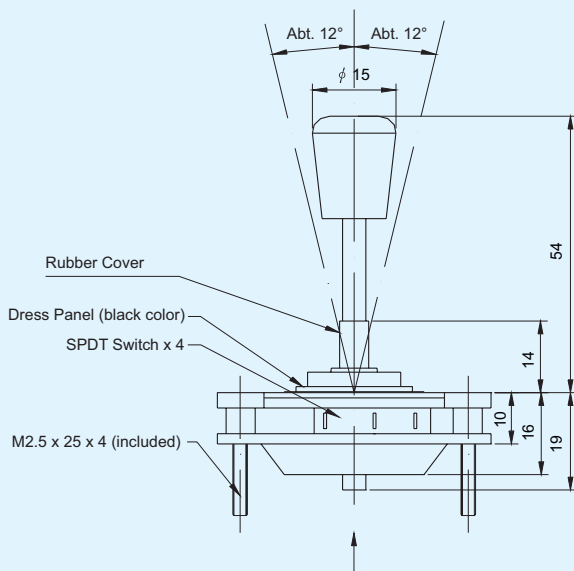
1...1 switch mounted. 2...2 switch mounted.
 3...3 switch mounted. 4...4 switch mounted.

With spring return device : **R1:** with spring return device for 1-dimensional coordinate. ●

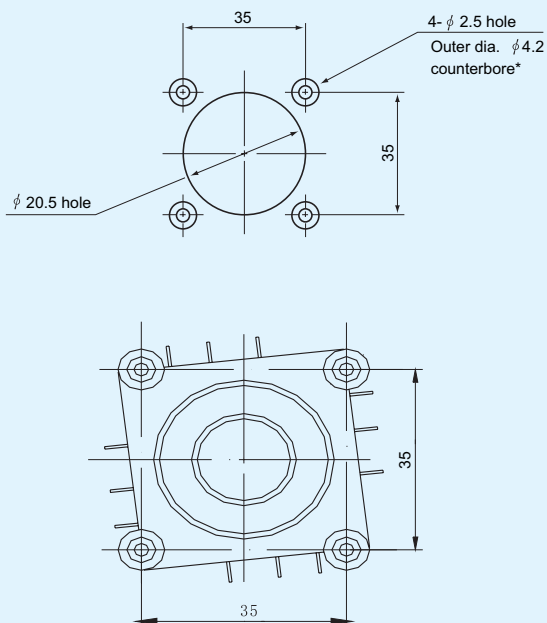
R2: with spring return device for 2-dimensional coordinate.

Mounting accessories : **G:** with dust proof rubber cover. ●

Standard Dimensions



Panel Arrangements



(Unit : mm)



CV4-YX-04R2G
(standard)
(2-dimensional)

STANDARD SPECIFICATIONS

CV4-YX-04R2G
Switch-Stick Joystick

●Mechanical Performances

Controlling range of operating lever :

X and Y directions : Approx. $\pm 12^\circ$ from center position

Operating force (Standard automatically center returning spring return device)

X and Y directions : Approx. 1N~1.2N (100~120gf)

Operating temperature range : $-20^\circ\text{C} \sim +65^\circ\text{C}$

Vibration : $10 \sim 55\text{Hz}$ 98m/s^2 (10G)

Shock : 294m/s^2 (30G)

Life expectancy : Approx. 200,000 operations

Mass : 2-dimensional coordinate type : Approx. 40g

●Electrical Performances

Switches used : CV4 type: Rating 250V.A.C., 5A

CV3 type: Rating 250V.A.C., 10A

●Degrees of Protection: IP65

●Terminal Connection Diagram

